

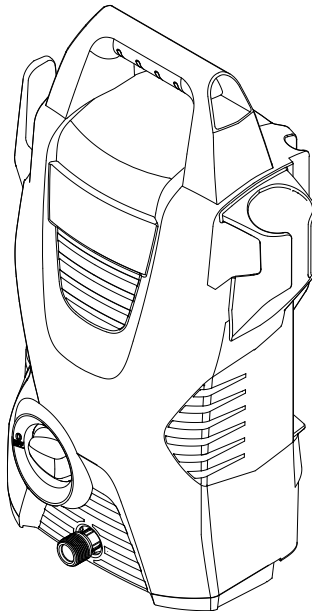
KÄRCHER

makes a difference

K 2 Compact

Operating Instructions

Please read the operating instructions carefully before using the unit.



59666490 (09/15)

Contents

Safety	3
Description of the Appliance	7
Scope of delivery	8
Proper use	8
Environmental protection	8
Assembly	8
Start up	8
Operation	8
Transport	9
Storage	9
Care and maintenance	9
Troubleshooting	10
Warranty	10
Customer Support	10
Technical specifications	10
Spare Parts	11

Safety



Please read and comply with these original instructions prior to the initial operation of your appliance and store them for later use or subsequent owners.

Apart from the notes contained herein the general safety provisions and rules for the prevention of accidents of the legislator must be observed.

Warnings and notes that are attached on the appliance provide important notes for the safe operation.

Hazard levels

⚠ DANGER

Pointer to immediate danger, which leads to severe injuries or death.

⚠ WARNING

Pointer to a possibly dangerous situation, which can lead to severe injuries or death.

⚠ CAUTION

Pointer to a possibly dangerous situation, which can lead to minor injuries.

ATTENTION

Pointer to a possibly dangerous situation, which can lead to property damage.

Electric components

⚠ DANGER

Risk of electric shock.

- *Never touch the mains plug and the socket with wet hands.*

- *Check the power cord with mains plug for damage prior to every use. Immediately have damaged power cord replaced by an authorised customer service / electrician. Do not operate an appliance if the power cord is damaged.*
- *All current-conducting parts in the working area must be protected against jet water.*
- *The mains plug and the coupling of an extension cable must be watertight and must never lie in water. Moreover, the coupling may never lie on the ground. The use of cable reels that ensure that the sockets are at least 60 mm above the ground is recommended.*
- *Make sure that the power cord or extension cable is not damaged by running over, pinching, dragging or the like. Protect the power cords from heat, oil, and sharp edges.*
- *Turn off the appliance and remove the mains plug prior to any care and maintenance works.*
- *Repair work and work on the electrical components may only be performed by an authorised customer service.*

⚠ WARNING

- *The appliance may only be connected to an electric supply that has been installed by an electrician in accordance with IEC 60364.*

- *The appliance may only be connected to alternating current. The voltage must correspond with the type plate of the appliance.*
- *For safety reasons, we recommend that you operate the appliance only via a residual current device (max. 30 mA).*
- *An unsuitable electrical extension cable can be hazardous. Only use an electrical extension cable which has been approved and labelled for this purpose and has an adequate cable cross-section outdoors: 1 - 10 m: 1.5 mm²; 10 - 30 m: 2.5 mm²*
- *Always fully unreel the extension cable from the cable drum.*

Safe handling

⚠ DANGER

- *The user must use the appliance as intended. The person must consider the local conditions and must pay attention to other persons in the vicinity when working with the appliance.*
- *Check important components, such as high-pressure hose, hand spray gun and safety installations, for damage prior to every operation. Immediately replace damaged components. Do not operate appliance with damaged components.*
- *High-pressure jets can be dangerous if improperly used. The jet may not be directed at persons, animals, live electrical equipment or at the appliance itself.*
- *The high-pressure jet must not be directed at other persons or the user him-/herself to clean clothing or footwear.*
- *Vehicle tyres/tyre valves are susceptible to damage from the high-pressure jet and may burst. The first indication for this is a discolouration of the tyre. Damaged vehicle tyres/tyre valves are perilous. Keep a minimum jet distance of 30 cm during cleaning!*

⚠ WARNING

- *Do not use the appliance when there are other persons around unless they are also wearing protective clothing.*
- *The appliance must not be operated by children or persons who have not been instructed accordingly.*
- *This appliance is not intended for use by persons with limited physical, sensory or mental capacities or lacking experience and/or skills, unless such persons are accompanied and supervised by a person in charge of their safety or they have received precise instructions on the use of this appliance and have understood the resulting risks.*
- *Children must not play with this appliance.*
- *Supervise children to prevent them from playing with the appliance.*

△ CAUTION

- Create stability for the appliance prior to any work on or with the appliance to prevent accidents or damage.
- The water jet that is emitted from the high-pressure nozzle results in a repulsion power acting on the hand spray gun. Make sure that you have a firm footing and are also holding the hand spray gun and spray lance firmly.
- Never leave the appliance unattended as long as it is in operation.

ATTENTION

- In case of extended breaks, switch the appliance off at the main switch / appliance switch or pull the mains plug.
- Do not operate the appliance at temperatures below 0 °C.

Other risks

△ DANGER

- The appliance may not be operated in explosive atmospheres.
- Never use the appliance to clean objects containing hazardous substances (e.g. asbestos).
- Do not spray flammable liquids.
- Never draw in fluids containing solvents or undiluted acids and solvents! This includes petrol, paint thinner and heating oil. The spray mist is highly inflammable, explosive and poisonous. Do

not use acetone, undiluted acids and solvents, as they corrode the materials used on the appliance.

- Keep packaging films away from children, there is a risk of suffocation!

△ WARNING

- According to applicable regulations, the appliance must never be used on the drinking water net without a system separator. Ensure that the connection of your building water installation on which the high-pressure cleaner is operated is equipped with a system separator pursuant to EN 12729 Type BA.
- Water that has flown through a system separator is no longer classified as drinking water.
- High-pressure hoses, fixtures and couplings are important for the safety of the appliance. Only use high-pressure hoses, fixtures and couplings recommended by the manufacturer.
- When disconnecting the supply or high pressure hose, hot water may leak from the connections after operation.

△ CAUTION

- Mind the weight of the appliance when selecting the storage location and during transport (see technical data) to prevent accidents or injuries.

Working with detergent

⚠ WARNING

- *This appliance was designed to be used with detergents which are supplied or recommended by the manufacturer. The use of other detergents or chemicals may compromise the safety of the appliance.*
- *The improper use of detergents can cause severe injuries or toxication.*
- *Store detergents away from the reach of children.*

Safety Devices

⚠ CAUTION

- *Safety installations serve the protection of the user and may not be modified or bypassed.*

Power switch

The appliance switch prevents unintentional operation of the appliance.

Lock trigger gun

This lock locks the lever of the trigger gun and prevents the inadvertent start of the appliance.

Overflow valve with pressure switch

If the lever on the trigger gun is released the pressure switch turns off the pump, the high pressure jet is stopped. If the lever is pulled the pump is turned on again.

Symbols on the machine



*The high pressure jet must not be directed at persons, animals, live electrical equipment or at the appliance itself.
Gerät vor Frost schützen.*



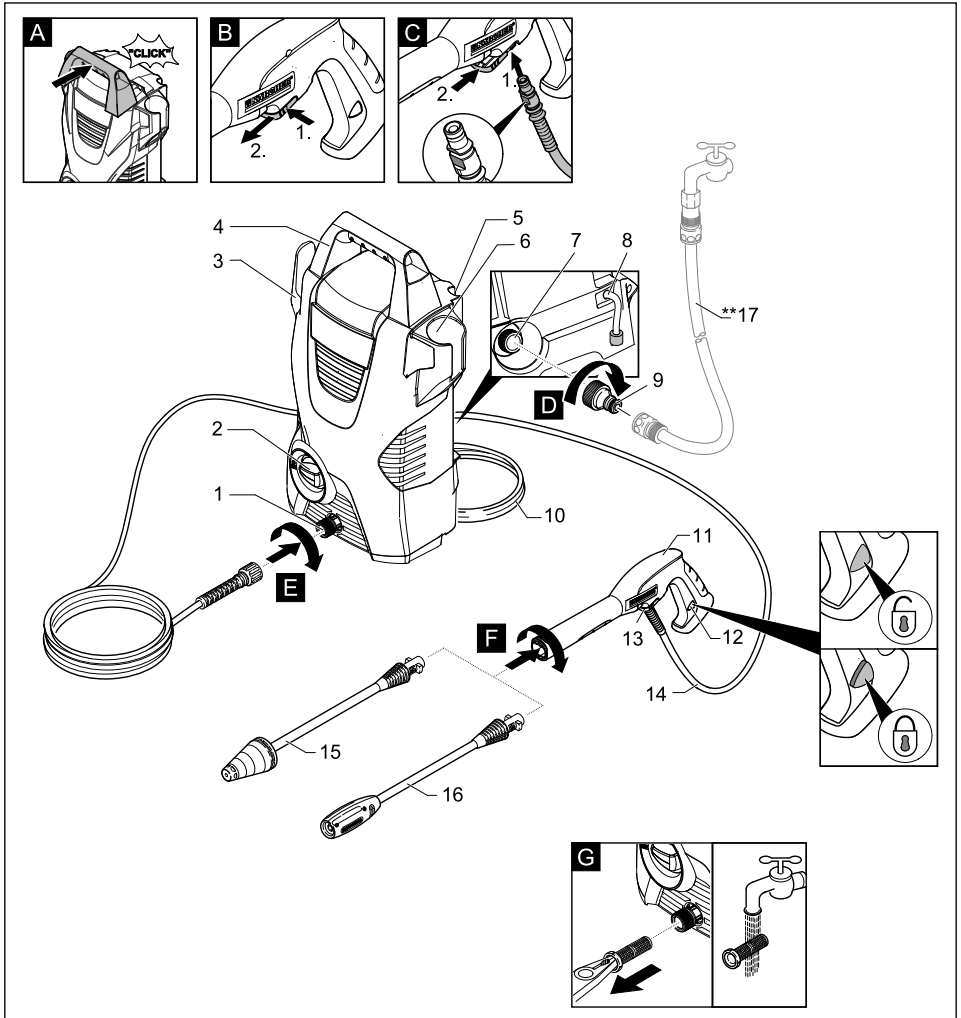
The appliance must not be directly connected to the public drinking water network.

Personal protective equipment

⚠ CAUTION

- *Wear protective clothing and safety goggles to protect against splash back containing water or dirt.*
- *During the use of high-pressure cleaners aerosols can develop. Inhaling aerosols can cause health damage.*
 - *Depending on the application, completely shielded nozzles (e.g. surface cleaner) that significantly reduce the emission of aqueous aerosols can be used for high-pressure cleaning.*
 - *The use of such shielding is not possible with all applications.*
 - *If the use of a completely shielded nozzle is not possible, a respirator of the category FFP 2 or the like should be used, depending on the environment to be cleaned.*

Description of the Appliance



- | | |
|---|---|
| <p>1 High pressure connection
 2 Appliance switch "0/OFF"/ „I/ON"
 3 Storage hook for high pressure hose and mains connection cable
 4 Carrying handle
 5 Storage for spray lance
 6 Storage for trigger gun
 7 Water connection with integrated sieve
 8 Detergent suction hose (with sieve)
 9 Coupling element for water connection
 10 Mains cable with mains plug
 11 Trigger gun
 12 Lock trigger gun
 13 Clamp for high pressure hose
 14 High pressure hose
 15 Spray lance with Dirtblaster
 For strong contaminations</p> | <p>16 Spray lance with pressure regulation (Vario Power)
 Carrying out the most common cleaning tasks. The work pressure can be stagelessly regulated between "Min" and "Max". You can add detergent when "Mix" is selected.
 In order to adjust the working pressure, release the lever of the trigger gun and turn the spray lance to the desired position.</p> |
|---|---|

**** not included in the scope of delivery**

- 17 Water supply hose

Special accessories

Special accessories expand the possibilities of using your appliance. Please contact your KÄRCHER dealer for further information.

Scope of delivery

The scope of delivery of your appliance is illustrated on the packaging. Check the contents of the appliance for completeness when unpacking. In the event of missing accessories or any transport damage, please contact your dealer.

Additionally required

- Fabric-reinforced water hose with commercially available coupling.
- Minimum diameter, 1/2 inches (13 mm).
- Minimum length 7.5 m.

Proper use

This high pressure cleaner is designed for domestic use only.

- for cleaning machines, vehicles, buildings, tools, facades, terraces, gardening tools, etc. by means of a high-pressure water jet (if necessary, with additional cleaning agents).
- with accessories, replacement parts and cleaning agents approved by KÄRCHER. Please observe the information accompanying the cleaning agents.

Environmental protection

Notes about the ingredients (REACH)

You will find current information about the ingredients at:

www.kaercher.com/REACH



The packaging material can be recycled. Please arrange for the environmentally appropriate disposal of the packaging.



Old appliances contain valuable recyclable materials that should be recycled properly. Please arrange for the environmentally appropriate disposal of the old devices.



Cleaning operations which produce oily waste water, e.g. engine washes, underbody washes, may only be carried out using washing stations equipped with an oil separator.



Work with detergents must only be performed on liquid-tight work surfaces with a connection to the sewer system. Do not let release detergent into waters or earth.

Assembly

Mount loose parts delivered with appliance prior to start-up.

Illustrations on Page 7

Illustration **A**

- Attach the carrying handle.

Illustration **B**

- Pull out the clamp for the high pressure hose from the hand spray gun.

Illustration **C**

- Connect high pressure hose to trigger gun.
- Push the clamp in until it locks. Check the secure connection by pulling on the high-pressure hose.

Abbildung **D**

- Screw the coupling element to the water connection on the appliance.

Start up

- Park the appliance on an even surface.

Illustration **E**

- Connect the high pressure hose to the high pressure connection of the appliance.
- Insert the mains plug into the socket.

Water supply from mains

For connection values, see type plate/technical data. Observe regulations of water supplier.

ATTENTION

Impurities in the water can damage the high-pressure pump and the accessories. For protection, the use of the KÄRCHER water filter (optional accessory, order no. 4.730-059) is recommended.

- Attach the water supply hose to the coupling on the water connection.
- Connect the water supply hose to the water supply.
- Completely open the water tap.

Operation

⚠ CAUTION

Dry runs lasting longer than two minutes lead to damages to the high pressure pump. If the appliance does not build up pressure within two minutes, switch it off and proceed as instructed in the Chapter "Troubleshooting".

High pressure operation

⚠ CAUTION

Keep a distance of at least 30 cm when using the jet for cleaning painted surfaces to avoid damage.

ATTENTION

Car tyres, paint or sensitive surfaces such as wood should not be cleaned with the dirt blaster, as there is a risk of damage.

Illustration **F**

- Push the spray lance into the trigger gun and fasten it by turning it through 90°.
- Turn on the appliance "I/ON".
- Unlock the lever on the trigger gun.
- Pull on the lever of the trigger gun; the device will switch on.

Note: Release the lever of the trigger gun; the device will switch off again. High pressure remains in the system.

Operation with detergent

Note: Detergent can only be added when the device is operated in low pressure mode.

⚠ DANGER

When using detergents, the material data safety sheet issued by the detergent manufacturer must be adhered to, especially the instructions regarding personal protective equipment.

- Pull detergent suction hose as far as is required out of the housing.
- Suspend end of detergent suction hose in a container filled with detergent.
- Use spray lance with pressure regulation (Vario Power).
- Turn the spray lance to "Mix" position.

Note: This will mix the detergent with the water stream.

Recommended cleaning method

- Spray the detergent sparingly on the dry surface and allow it to react, but not to dry.
- Spray off loosened dirt with the high pressure jet.

Interrupting operation

- Release the lever on the trigger gun.
- Lock the lever on the trigger gun.
- Insert the trigger gun in its holder.
- During longer breaks (more than 5 minutes), also turn the appliance off using the "0/OFF" switch.

Finish operation

⚠ CAUTION

Only separate the high-pressure hose from the trigger gun or the appliance while there is no pressure in the system.

- After operation with detergent: Run the machine for approximately 1 minute for a clear rinse.
- Release the lever on the trigger gun.
- Turn off the appliance "0/OFF".
- Disconnect the mains plug from the socket.
- Turn off tap.
- Press the lever on the trigger gun to release any remaining pressure in the system.
- Lock the lever on the trigger gun.
- Detach the appliance from the water supply.

Transport

⚠ CAUTION

Risk of personal injury or damage!
Mind the weight of the appliance during transport.

When transporting by hand

- Lift appliance by the carrying handle and carry it.

When transporting in vehicles

- Secure the appliance against shifting and tipping over.

Storage

⚠ CAUTION

Risk of personal injury or damage!
Consider the weight of the appliance when storing it.

Storing the Appliance

- Park the machine on an even surface.
- Engage the spray lance in its compartment.
- Insert the trigger gun in its holder.
- Stow away the mains cable, the high-pressure hose and accessory on the appliance.

Frost protection

ATTENTION

Appliances and accessories that are not completely drained can be destroyed by frost. Completely drain appliance and accessories and protect them against frost. To avoid damage:

- Completely drain all water from the appliance:
Switch the appliance on with detached high pressure hose and detached water supply (max. 1 minute) and wait, until no more water exits at the high pressure connection. Turn off the appliance.
- Store the appliance and the entire accessories in a frost free room.

Prior to extended storage periods, as during the winter, also observe the instructions in the Care section.

Care and maintenance

⚠ DANGER

Risk of electric shock.
Prior to all work on the appliance, switch off the appliance and pull the power plug.

Care

Clean the sieve in the water connection

Clean the sieve in the water connection regularly.

ATTENTION

The sieve must not be damaged.

- Remove coupling from the water connection.

Illustration **G**

- Pull the sieve out using flat pliers.
- Clean the sieve under running water.
- Reinsert the sieve into the water connection.

Cleaning the detergent filter

- Remove filter from suction hose for detergent and clean under running water.

Maintenance

The appliance is maintenance free.

Troubleshooting

You can rectify minor faults yourself with the help of the following overview.
If in doubt, please consult the authorized customer service.

⚠ DANGER

Risk of electric shock.

→ *Prior to all work on the appliance, switch off the appliance and pull the power plug.*

Appliance is not running

- Pull on the lever of the trigger gun; the device will switch on.
- Check whether the voltage indicated on the type plate corresponds to the voltage of the mains supply.
- Check the mains connection cable for damages.

Pressure does not build up in the appliance

- Appliance ventilation: Switch the appliance on with the high-pressure hose detached and operate (max. 2 minutes) until the water exits the high-pressure connection without bubbles. Switch off appliance and reconnect high-pressure hose.
- Check the water supply.
- Pull out the sieve in the water connection using flat-nose pliers and clean under running water.

Strong pressure fluctuations

- Clean high-pressure nozzle: Remove dirt and debris from the nozzle bore, using a needle and rinse through with water from the front.
- Check water flow quantity.

Appliance is leaking

- Slight leakage from the appliance pump is normal. If the leakage increases contact the authorized customer service.

No detergent infeed

- Use spray lance with pressure regulation (Vario Power).
Turn the spray lance to "Mix" position.
- Clean the detergent suction hose filter.
- Check the detergent suction hose for kinks.

Warranty

The warranty terms published by the relevant sales company are applicable in each country. We will repair potential failures of your appliance within the warranty period free of charge, provided that such failure is caused by faulty material or defects in manufacturing. In the event of a warranty claim please contact your dealer or the nearest authorized Customer Service centre.

Please submit the proof of purchase.

Addresses can be found under:

www.kaercher.com/dealarsearch

Customer Support

Australia

Karcher Pty Ltd
40 Koornang Road
Scoresby VIC 3179

1800 675 714 (Free Call)

www.karcher.com.au

Technical specifications

Electrical connection

Voltage	220-240 V 1~50-60 Hz
---------	-------------------------

Power consumption	6 A
-------------------	-----

Protection class	IP X5
------------------	-------

Protective class	II <input type="checkbox"/>
------------------	-----------------------------

Mains fuse (slow-blow)	10 A
------------------------	------

Water connection

Max. feed pressure	1,2 MPa
--------------------	---------

Max. feed temperature	40 °C
-----------------------	-------

Min. feed volume	8 l/min
------------------	---------

Performance data

Working pressure	8 MPa
------------------	-------

Max. permissible pressure	11 MPa 1600 psi
---------------------------	--------------------

Water flow rate	5,5 l/min
-----------------	-----------

Max. flow rate	6,0 l/min
----------------	-----------

Detergent flow rate	0,3 l/min
---------------------	-----------

Recoil force of trigger gun	10 N
-----------------------------	------

Dimensions and weights

Length	280 mm
--------	--------

Width	176 mm
-------	--------

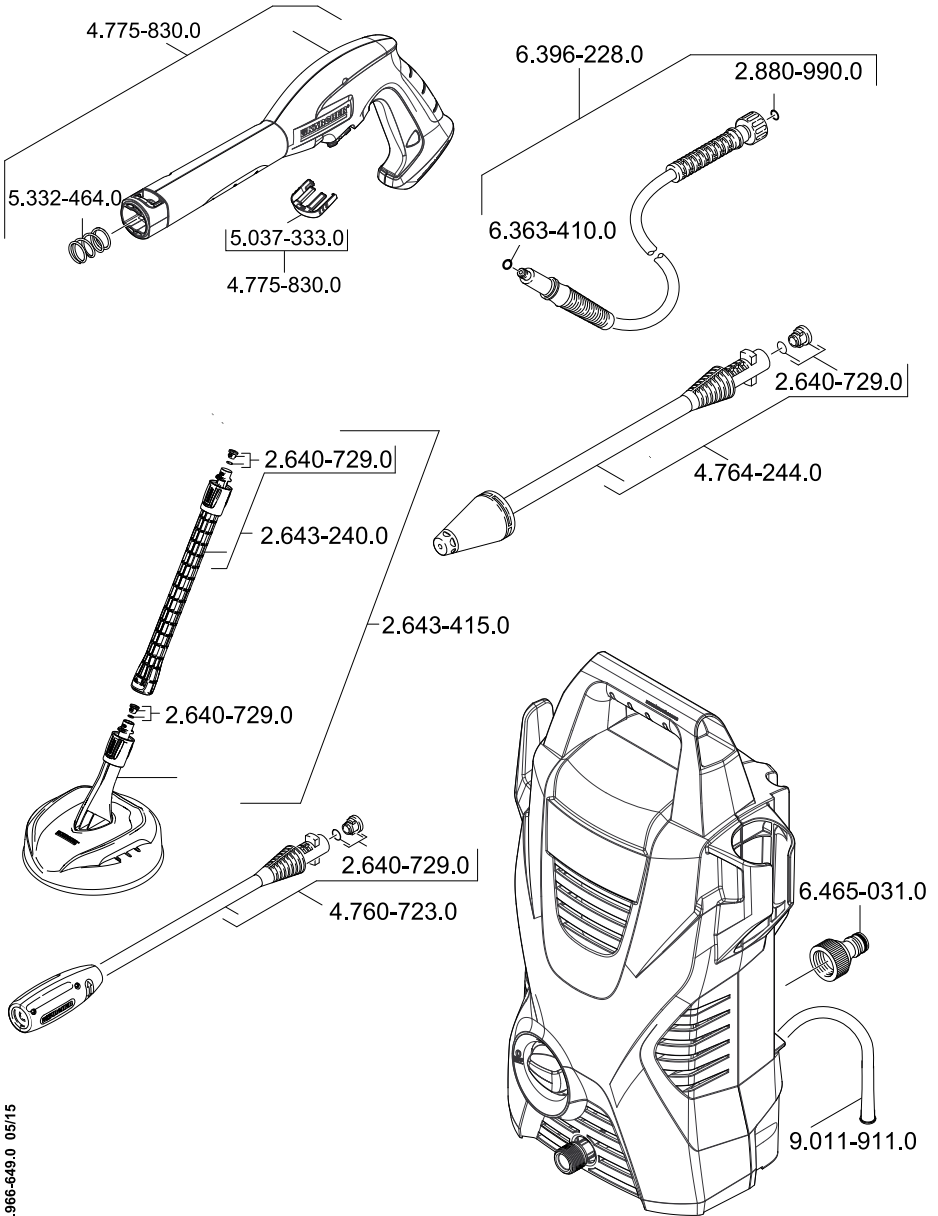
Height	443 mm
--------	--------

Weight, ready to operate with accessories	4,7 kg
---	--------

Subject to technical changes.

Spare Parts

Use only original KÄRCHER spare parts.



5.966-649.0 05/15

Alfred Kärcher GmbH & Co. KG

Alfred-Kärcher-Str. 28 - 40

71364 Winnenden (Germany)

Tel.: +49 7195 14-0

Fax: +49 7195 14-2212



<http://www.kaercher.com/dealersearch>

